

Technical characteristics

- Flow rates: from 0.4 to 54 l/h
- Max back pressure: up to 20 bar
- Power supply:
 - 100÷240 Vac - 50/60 Hz
- Stroke rate: from 120 to 300 strokes/minute
- Pump head:
 - PVDF
- Diaphragm: PTFE
- External Enclosure: PP reinforced with fiber glass
protection degree IP65
- Manually priming valve
- Installation kit: Included

Seko Maxima EVO MPR Series is a digital dosing pump with pH/Redox control meter built in, Its own other features are:

- constant or proportional dosing according the measured pH or Redox value
- PT100 probe input for thermal compensation
- Repetition alarm relay
- Input On-Off for remote control
- 4÷20 mA output for measure transmission

Also with this pump, with only 5 sizes, is possible to cover a wide range of performances, having a flow rate range from 0.4 to 54 l/h and a back pressure from 0.1 to 20 bar. The power supply is 100÷240 Vac – 50/60 Hz therefore the same pump can operate with different supply voltage. The standard pump head is in PVDF, therefore high chemical compatibility with several liquids end. MaximaEVO MPR series is equipped with a manually priming pump for the start up.

The pump is furnished with a complete standard installation kit, which includes: PVDF foot filter and injection valve, PVC suction tube, PE delivery tube.

PUMP KEY CODE

MPR	Digital dosing pump with pH/Redox control meter on board. PT100 probe input (thermal compensation). Repetition alarm relay. Input ON-OFF (remote control). 4÷20 mA output signal for measure relay.				
2°	Hydraulic				
Model	Pressure [bar]	Flow rate [l/h]	Stroke/min	cc/stroke	
500	20	0,4	120	0,06	
	16	0,8		0,11	
	10	1,2		0,17	
	6	15		0,21	
600	20	2,5	120	0,35	
	18	3		0,42	
	14	4,2		0,58	
	8	7		0,97	
603N	12	4	160	0,42	
	10	5		0,52	
	8	6		0,63	
	2	8		0,83	
603O	7	2	160	0,21	
	5	6		0,62	
	0,2	15		1,56	
800	16	7	300	0,39	
	10	10		0,55	
	5	15		0,83	
	1	18		1,00	
803	5	20	300	1,11	
	4	25		1,39	
	2	38		2,11	
	0,1	54		3,00	
3°	Stroke Regulation				
N	NO Regulation				
4°	Power supply				
N	100÷240 Vac - 50/60 Hz				
O	24÷48 Vac - 50/60 Hz (only for APG603)				
5°	Liquid end				
	Pump head	Connection	Balls	Diaphragm	
H	PVDF	PVDF	Ceramic	PTFE	
P*	PVC	PVC	Ceramic	PTFE	
	*Head pump with automatic degassing valve, only for 603 and 800 series				
6°	Installation kit				
H	PVDF				
7°	Seals				
0	FPM				
1	EPDM				
8°	Market				
0	Standard				
9°	RAL color				
	Hydraulic	Electronic			
B	5010	7004			
10°	Optional				
0	Standard				

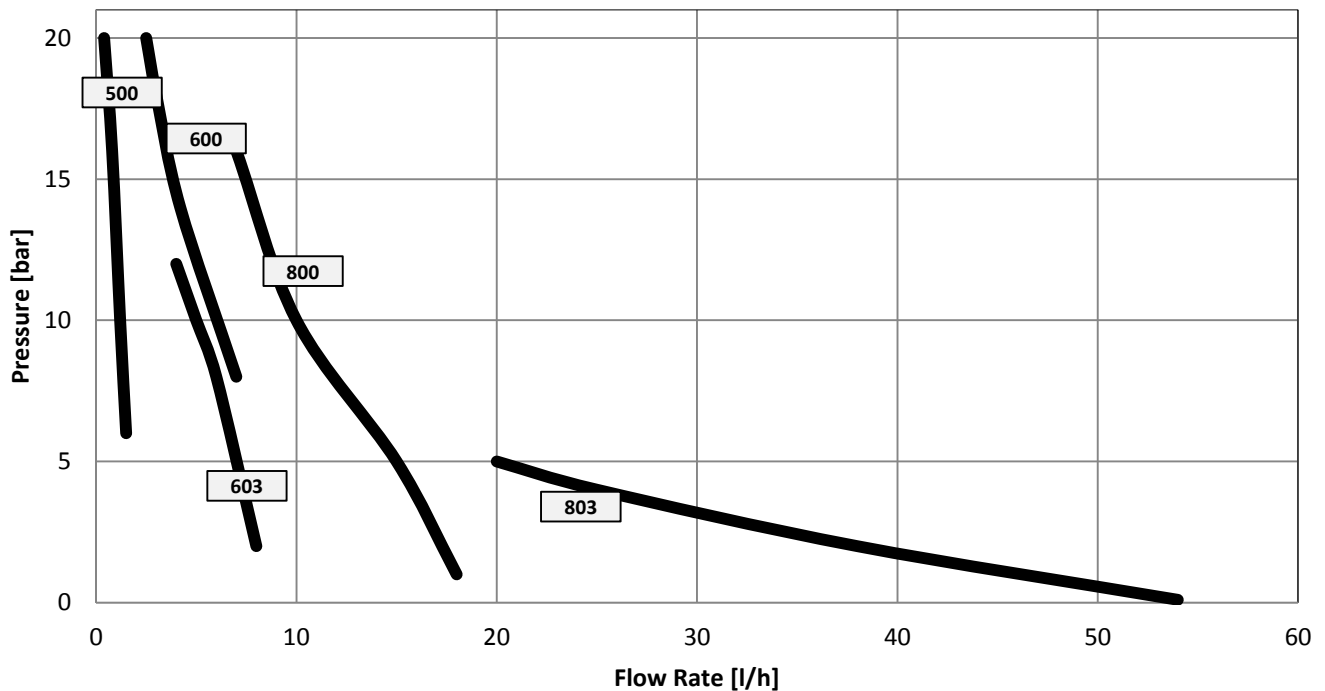
MPR	603	N	N	H	H	0	0	B	0
-----	-----	---	---	---	---	---	---	---	---

HYDRAULIC CHARACTERISTICS

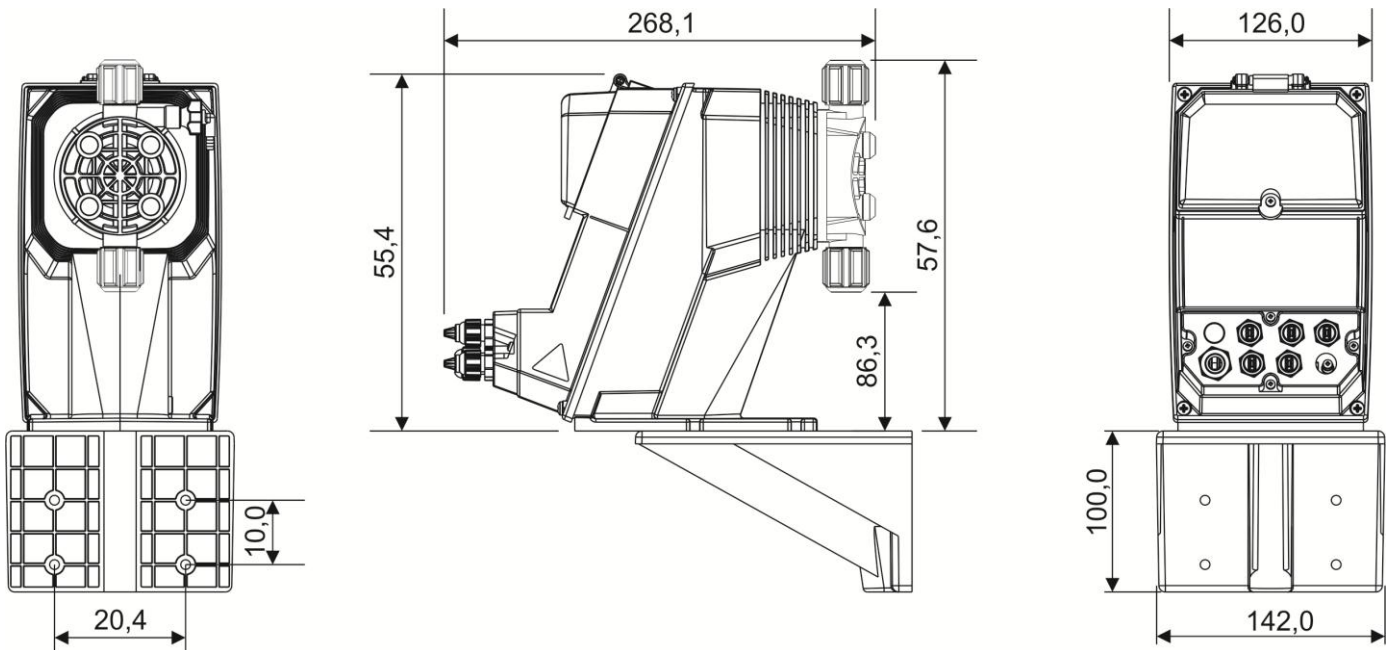
Pump Model	Pressure [bar]	Flow Rate [l/h]	Frequency max [stroke/min]	Stroke capacity [cc/stroke]	Connection [mm]		Power supply	Consumption [W]	
					Suction	Discharge		Min*	Max
MPR500N	20	0,4	120	0,06	4/6	4/7	100÷240 Vac	8	14
	16	0,8		0,11					
	10	1,2		0,17					
	6	1,5		0,21					
MPR600N	20	2,5	120	0,35	4/6	4/7	100÷240 Vac	8	15
	18	3		0,42					
	14	4,2		0,58					
	8	7		0,97					
MPR603N	12	4	160	0,42	4/6	4/6	100÷240 Vac	15	18
	10	5		0,52					
	8	6		0,53					
	2	8		0,63					
MPR800N	16	7	300	0,39	4/6	4/6	100÷240 Vac	15	26
	10	10		0,56					
	5	15		0,83					
	1	18		1,00					
MPR803N	5	20	300	1,11	8/12	8/12	100÷240 Vac	15	25
	4	25		1,39					
	2	38		2,11					
	0,1	54		3,00					

*Minimum consumption at 0 bar of backpressure (Patented)

MPR



DIMENSIONS



INSTALLATION KIT

- PVDF foot filter
- PVDF injection valve
- PVC suction tube (4 m)
- PE delivery tube (2 m)

WALL FIXING BRACKET AVAILABLE

